



LED 400 VEG

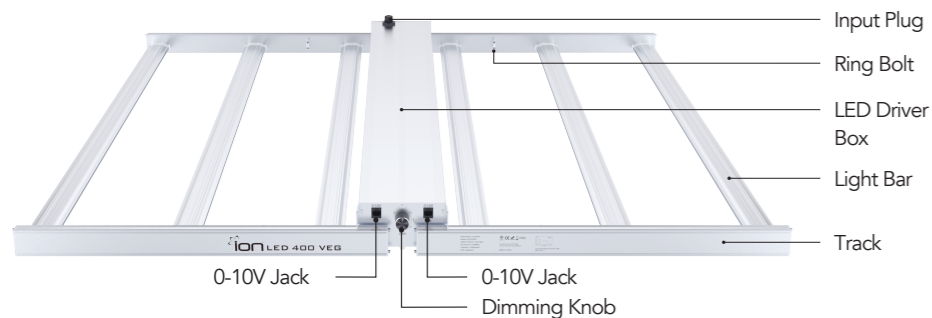
OPERATING MANUAL

LED AL400 | 0-10V COMPATIBLE | FOLDING FIXTURE

PLEASE READ THESE INSTRUCTIONS BEFORE INSTALLATION AND USE

Congratulations on purchasing this new LED luminaire. We have done everything to manufacture a fixture with a long lifespan and safe operation, but the installation and use of the product is the responsibility of the user. Incorrect use or installation can lead to failure and damage to the luminaire. Damage to the luminaire or electronic circuitry as a result of incorrect installation or use will revoke your warranty. Read this manual carefully before installing your luminaire.

ABOUT PRODUCT



Dimming	
Dimming Knob	LED Working Wattage
Turn to EXT	0-10V compatible
Turn to OFF	0W
Turn to 100%	400W
Turn to 80%	330W
Turn to 60%	260W
Turn to 40%	190W

TECHNICAL SPECIFICATIONS

Model	LED AL400
Input Power	400W
Input Voltage	AC120V - 277V
120V	3.45A
208V	1.95A
240V	1.68A
277V	1.45A
Input Frequency	50/60 Hz
Light Output PPF	1040 μmol/s
Efficacy	2.6 μmol/J

Lifetime L90	≥ 50,000 hrs
Water-Resistance	IP66
Light Distribution	120°
Spectrum	Full Spectrum
Dimension	1107x1122x72 mm / 43.6x 44.2 x2.8 inch
Weight	6.8 kgs / 15.0 lbs
Operating Temperature	-20°C~35°C / -4°F~95°F
Operating Humidity	0%~95%
Thermal Management	Passive
Power Factor	≥ 0.97

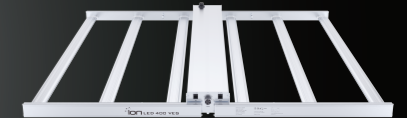
* Subject to change without notice, Tolerance ±10%.



PATENTED PRODUCTS, COUNTERFEITING NOT ALLOWED.
Made in China



LED 400 VEG



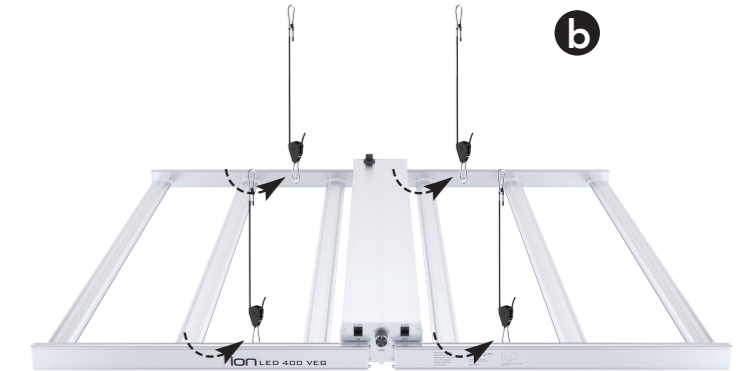
ASSEMBLY INSTRUCTIONS

The intensity of the fixture is determined by the control knob set to the desired brightness setting. It is recommended that you keep a mounting height of 8"-20" (20cm-50cm) above canopy for

optimal light efficiency coverage and uniformity. Cultivators should often monitor the temperature at the canopy level to ensure the height of the fixture is appropriate, as canopy temperature and ambient room temperature can differ.

STEPS

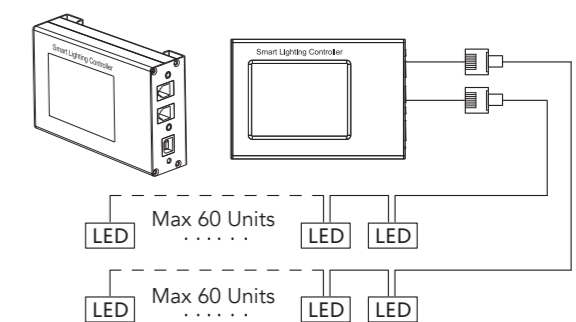
1. First take the fixture out of the packing.
2. Unfold the fixture track (Fig.a) and place it on a sturdy and flat surface with the diode array facing downward (Fig.b).
3. Attach the carabiners from the Rope Ratchet (optional) to the ring bolts (Fig.b).
4. Hang the fixture in the required location.



0-10V DIMMING

This model is compatible with Smart Lighting controller. When using 0-10V function, please turn the dimming knob to EXT (external control). Insert the telephone wire into the jack of the LED driver and the other end into the Smart Lighting controller, and then dimming function on the LED fixture will be enabled.

- Maximum of 120 units can be controlled using the Smart Lighting controller.
- The controller allows to turn on/off the fixture automatically following a set schedule and/or temperature limits.
- In & Out jacks included on the LED driver allow for multi-fixtures connected in daisy-chain.

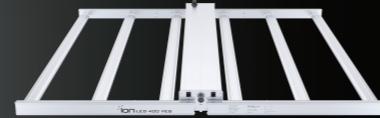


CAUTION



After installation, verify if installation is successful by cycling the lights on / off a few times, also test the 'temperature shut down' by setting it to a value like 85°F and rub the temperature probe with your fingers, tricking the Smart Lighting Controller into an over temperature condition and therefore shutting the lights off. Then leave the probe alone, and after 10-15 minutes as recommended, the Smart Lighting Controller should turn all the lights back on.

For detailed instructions, please refer to Smart Lighting Controller operating manual.



ALWAYS COMPLY WITH LOCAL INSTALLATION REGULATIONS AND CODES

The fixture is suitable for indoor environment. Do not install your fixture in wet or outdoor environment. Do not operate the fixture close to combustible materials. The fixture will get hot during operation. Do not touch the fixture during, or right after operation. Make sure the power cord does not touch any hot part of the

fixture. Make sure the fixture is clean and hanging correctly. The normal operating environment temperature should be below 104°F. Exceeding the maximum environmental temperature will stress electronic components, which will lead to shorter lifetime and decreased reliability.

TROUBLE SHOOTING

PROBLEM	PROBABLE CAUSE(S)	POSSIBLE FIXES OR CORRECTIVE MAINTENANCE
One or more fixtures are completely off	Disconnect from power source.	Make sure power is on and cables are plugged in.
Dimming failure	Broken cable or wire connecting controller to fixture or wire connecting fixture to fixture.	Repair or replace any damaged cables if necessary.
LED will not come on	The power supply settings do not match with local AC voltage and frequency.	Disconnect fixture from the power supply. Check settings and correct if necessary.

SCOPE OF USE AND MAINTENANCE

- Comply with local installation regulations.
- Store the fixture in a dry and clean environment, with an ambient temperature of -20°C~65°C and ambient humidity of less than 90% RH. It is recommended that the fixture shall not stay unused for more than six months. If it has stayed unused for more than six months, please test to ensure fixture is functioning at 100%.
- Please keep products safe. Avoid mechanical pressure, excessive vibration and dropping the unit during the process of assembly to protect the light bar and track.
- Keep away from water, oil and organic solvent, or it will reduce the efficacy and have the potential risk of electric leakage.
- All equipment, devices and machines shall be effectively grounded.
- Regularly check and clean the dust from LED array.
 1. Disconnect from power supply before general care.

2. Remove the dust from the light bar by using low-pressure compressed air.
 3. Clean the diode array with a soft cloth to prevent it from being scratched.
 4. Be sure not to touch the diode with your bare hands, even after the fixture is disconnected from power supply.
- It is recommended that you contact a licensed electrician or an expert if any of the following happens:
 1. The cable or the plug has been damaged.
 2. The unit has been exposed to rain.
 3. Significant changes in the unit performance.
 4. Fixture or light bar dropped and corner of its enclosure got bent.
 - There are no serviceable parts inside the fixture. Opening the fixture will void its warranty.

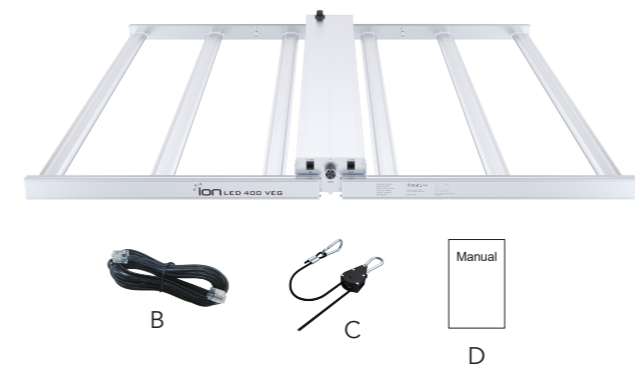


WARRANTY

We hereby warrant manufacturing defects of this product for a period of five (5) years from the original date of purchase if it is used under normal operating conditions. If the product shows manufacturing defects within this period and that defect is not

caused by user error or improper use, we shall, at our discretion, either replace or repair the product by using applicable new or refurbished parts. For any service, return the product to your shop along with the original sales receipt.

PRODUCT PACKING LIST



NO.	NAME	QUANTITY
A	ION 400W Fixture	1
B	Telephone Wire	1
C	Rope Ratchets	4
D	Operating Manual	1